

2024

catalogue

Olvelis<sup>★</sup>

pump & sprayer

Cosmetic packaging

OLVELIS, FZE

laluna@olvelis.com

PRODUCT CATALOG

08-08 FINE MIST SPRAYER SET

09-18 FINE MIST SPRAYER

19-20 PERFUME ATOMIZER

21-26 CRIMP PUMP

27-46 TREATMENT PUMP

47-56 LOTION PUMP

57-61 TRIGGER SPRAYER

62-64 DROPPER

65-66 NAIL PUMP

67-70 CAPS

# 602 Super Fine Spray Set

*Orvelis*

**FEATURES:**

Ultra fine Spray design.  
To make spray on skin  
very soft and easy  
to absorb the liquids.

**CAPACITY**

60ml  
80ml  
100ml



# 600 SERIES Fine Mist Sprayer

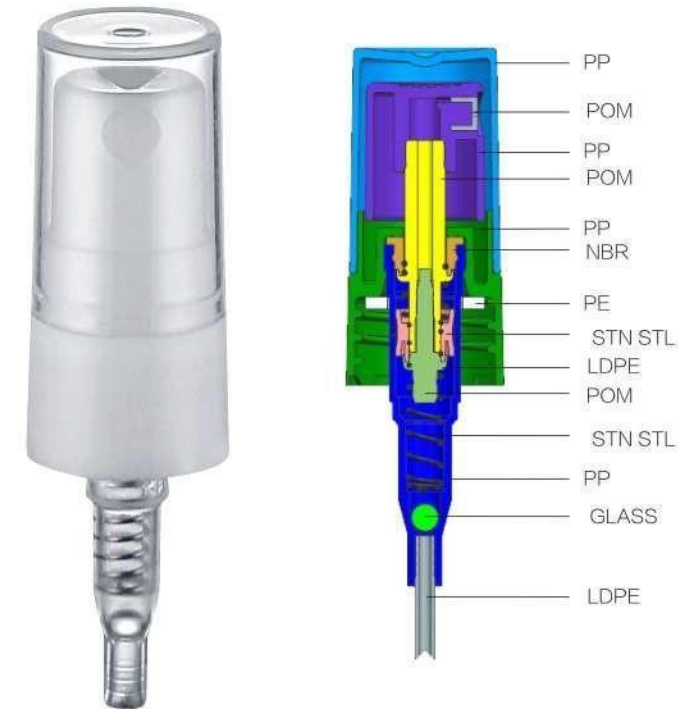
## FEATURES:

- Wide range of size options
- Variety of caps
- Different material options
- Variety of surface processings



# 604A Fine Mist Sprayer

DISCHARGE RATE  
0.06 ± 0.01ML/T



GY-604A

## More combinations More options

Provide different parts of a variety of combination plan

### CLOSURE OPTIONS



Smooth

### CAP OPTIONS

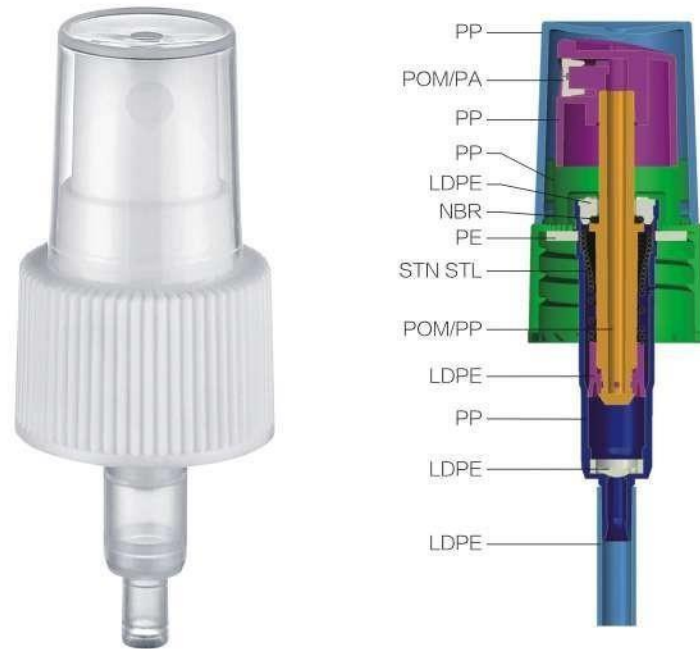


HALF

SIZE	QYT/CNT	DIMENSION	N. W/G. W	MATERIAL
12/410	3000	48 × 37.5 × 38.5	13.5/14.5	PCR PP
13/410	3000	48 × 37.5 × 38.5	13.5/14.5	PCR PP

# 605A Fine Mist Sprayer

DISCHARGE RATE  
0.25 ± 0.02ML/T



**GY-605A**

For High Viscosity Liquids

## More combinations More options

Provide different parts of a variety of combination plan

### CLOSURE OPTIONS



Smooth Ribbed Alu.

### CAP OPTIONS

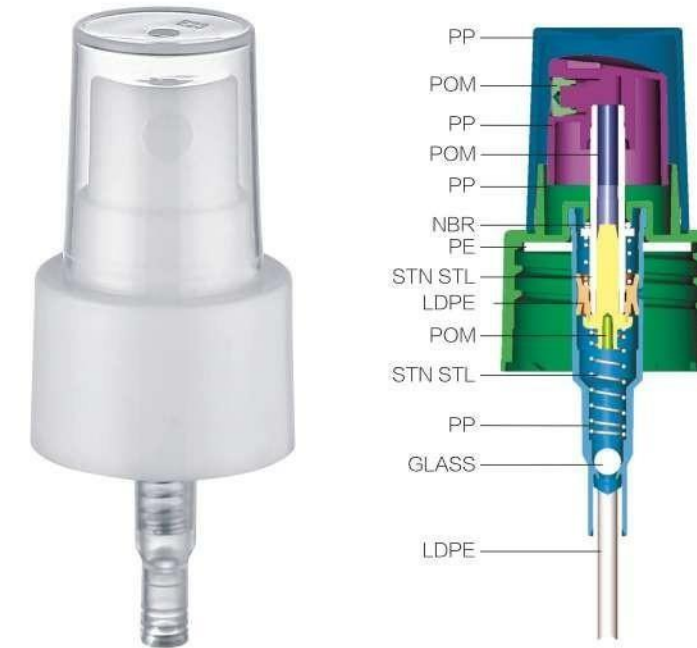


HALF ARC FULL

SIZE	QYT/CNT	DIMENSION	N. W/G. W	MATERIAL OPTION
18/410	2500	46 × 37.5 × 38.5	11.5/12.5	PCR Full plastic
20/410	2000	45 × 38 × 39	10/11	
24/410	1500	50 × 38 × 39	11.8/12.8	

# 606A Fine Mist Sprayer

DISCHARGE RATE  
0.2 ± 0.02ML/T



**GY-606A**

## More combinations More options

Provide different parts of a variety of combination plan

### CLOSURE OPTIONS



Smooth Ribbed Alu.

### CAP OPTIONS

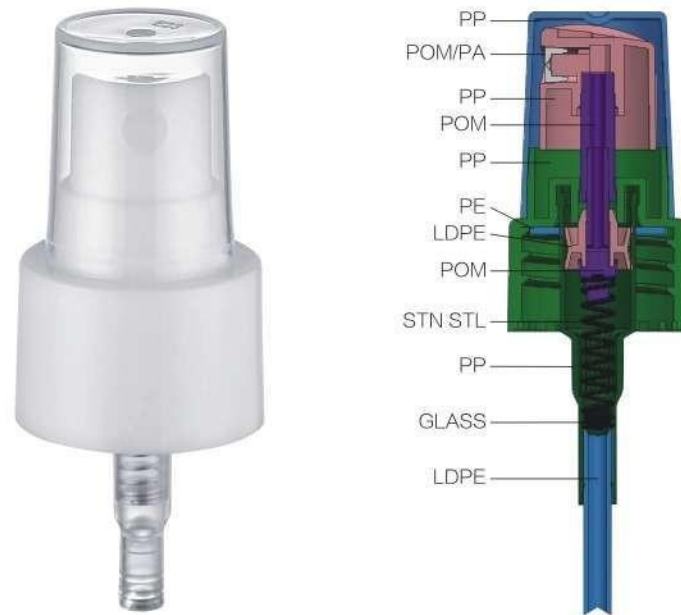


HALF ARC FULL

SIZE	QYT/CNT	DIMENSION	N. W/G. W	MATERIAL OPTION
18/410	2500	46 × 37.5 × 38.5	11.5/12.5	PCR PP
20/410	2000	45 × 38 × 39	10/11	
20/415	1000	48 × 38 × 26	6/7	
24/410	1500	50 × 38 × 39	11.8/12.8	

# 607A Fine Mist Sprayer

DISCHARGE RATE  
0.4 ± 0.02ML/T



GY-607A

## More combinations More options

Provide different parts of a variety of combination plan

### CLOSURE OPTIONS



Smooth Ribbed Alu.

### CAP OPTIONS



HALF ARC FULL

SIZE	QYT/CNT	DIMENSION	N. W / G. W	MATERIAL OPTION
20/410	2000	45 × 38 × 39	10/11	PCR PP
20/415	1000	48 × 38 × 26	6/7	PCR PP

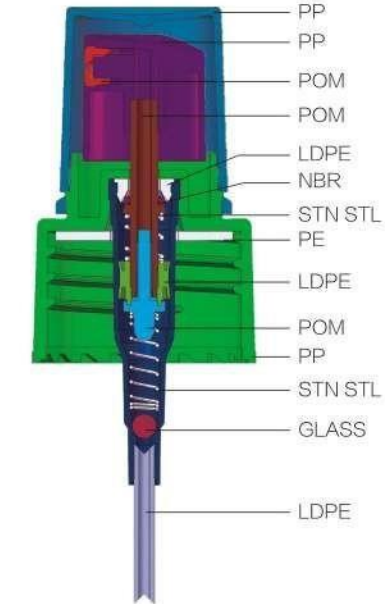
# 608A Fine Mist Sprayer

DISCHARGE RATE  
0.12 ± 0.02ML/T



Regular mist sprayer

Ultra Fine mist sprayer



GY-608A

## More combinations More options

Provide different parts of a variety of combination plan

### CLOSURE OPTIONS



Smooth Ribbed Alu-1 Alu-2

### CAP OPTIONS



HALF ARC FULL

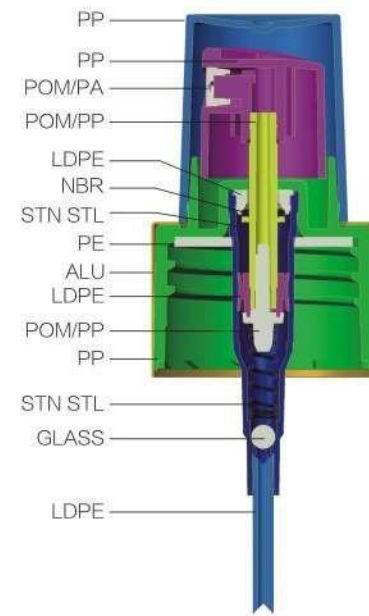
SIZE	QYT/CNT	DIMENSION	N. W / G. W	MATERIAL OPTION
15/410	3000	48 × 37.5 × 38.5	13.5/14.5	PCR PP
18/410	2000	48 × 37 × 38	10.6/11.6	
18/415	2500	48 × 38 × 39	12.5/13.5	
18/420	2500	46.5 × 37.5 × 42	13/14	
20/410	2000	45 × 37 × 38	9.8/10.8	
20/415	1500	45 × 37.5 × 38.5	12.8/13.8	
22/415	1800	54 × 35 × 39	12.6/13.6	
24/410	1500	50 × 38 × 39	11.8/12.8	
24/415	1500	53 × 37.5 × 38.5	11.5/12.5	
28/400	1500	48 × 37.5 × 38.5	9.7/10.7	
28/410	1000	58 × 38 × 25	8/9	

# 608A-AL Fine Mist Sprayer

DISCHARGE RATE  
0.12 ± 0.02ML/T



GY-608A-AL



## More combinations More options

Provide different parts of a variety of combination plan

### CLOSURE OPTIONS



Alu-1

Alu-2

### CAP OPTIONS



HALF

ARC

FULL

Alu-HALF

Alu-FULL

SIZE	QYT/CNT	DIMENSION	N. W/G. W	MATERIAL
18/410	2500	48 × 37 × 38	12.5/13.5	Aluminum UV coating
18/415	2000	48 × 38 × 39	11/12	
20/410	2000	48 × 37.5 × 38.5	13/14	
20/415	2000	50 × 38 × 39	11.4/12.4	
24/410	1000	50 × 37.5 × 38.5	10.2/11.2	
24/415	1000	48 × 37.5 × 38.5	8/9	
28/410	1000	56.5 × 33 × 39	9.7/10.7	

*Hvelis*

# 608B Fine Mist Sprayer

DISCHARGE RATE  
0.12 ± 0.02ML/T

SIZE	QYT/CNT	DIMENSION	N. W/G. W
18/410	2000	45 × 39 × 55	15.3/16.3
20/410	2000	45 × 39 × 55	15.3/16.3
24/410	1000	45 × 39 × 36	10.3/11.3



GY-608B

# 608C Fine Mist Sprayer

DISCHARGE RATE  
0.12 ± 0.02ML/T

SIZE	QYT/CNT	DIMENSION	N. W/G. W
18/410	2000	45 × 39 × 55	15.3/16.3
20/410	2000	45 × 39 × 55	15.3/16.3
24/410	1000	45 × 39 × 36	10.3/11.3



GY-608C

# 608D Fine Mist Sprayer

DISCHARGE RATE  
0.12 ± 0.02ML/T

SIZE	QYT/CNT	DIMENSION	N. W/G. W
18/410	2000	45 × 39 × 55	15.3/16.3
20/410	2000	45 × 39 × 55	15.3/16.3
24/410	1000	45 × 39 × 36	10.3/11.3



GY-608D

# 608E Fine Mist Sprayer

DISCHARGE RATE  
0.12 ± 0.02ML/T



GY-608E



全罩/ALU  
ABS FULL CAP

SIZE	QYT/CNT	DIMENSION	N. W/G. W
18/410	1430	54 × 34 × 37	12/13
18/415	1430	54 × 34 × 37	12/13
20/410	1430	54 × 34 × 37	12/13
FULL CAP	1700	48 × 34 × 40	112/13

# 608F Fine Mist Sprayer

DISCHARGE RATE  
0.12 ± 0.02ML/T



GY-608F1

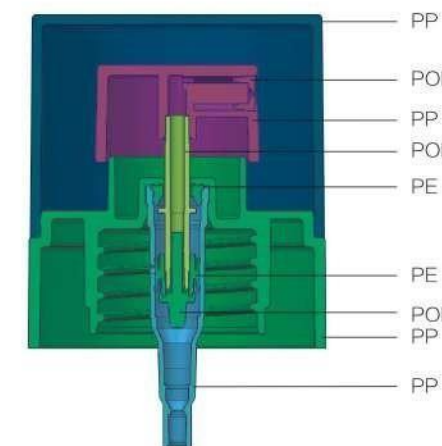


GY-608F2

SIZE	QYT/CNT	DIMENSION	N. W/G. W	MATERIAL
30/410	2000	53 × 37.5 × 38.5	12/13	PCR
FULL CAP	1260	53 × 38 × 40	6.5/7.5	PP

# 608K Fine Mist Sprayer

DISCHARGE RATE  
0.12 ± 0.02ML/T



GY-608K

SIZE	QYT/CNT	DIMENSION	N. W/G. W	MATERIAL OPTION
22/410	2000	45 × 38 × 39	10/11	PCR
24/410	1500	50 × 38 × 39	11.8/12.8	PP

# 609A/C Perfume Atomizer

DISCHARGE RATE  
0.12 ± 0.02ML/T



GY-609A

GY-609C

ITEM	CAPACITY	HEIGHT(A)	HEIGHT(B)	PRINTING HEIGHT(C)	DIAMETER(φ)	DOSAGE	MATERIAL
GY-609A	5ml	79.0	59.0	37.0	16.0	0.12ml	PCR PP
	7ml	103.0	83.5	61.5	16.0	0.12ml	
	8ml	110.5	91.0	69.0	16.0	0.12ml	
	10ml	119.0	100.0	78.0	16.0	0.12ml	
	11ml	125.0	106.0	84.0	16.0	0.12ml	
	12ml	131.0	111.0	89.0	16.0	0.12ml	
	15ml	122.0	101.0	78.0	19.0	0.12ml	
20ml	138.0	113.0	90.0	20.0	0.12ml		
GY-609C	5ml	95.0	59.0	37.0	16.0	0.12ml	
	7ml	119.5	83.5	61.5	16.0	0.12ml	
	8ml	127.0	91.0	69.0	16.0	0.12ml	
	10ml	136.0	100.0	78.0	16.0	0.12ml	
	11ml	142.0	106.0	84.0	16.0	0.12ml	
	12ml	147.0	111.0	89.0	16.0	0.12ml	
	15ml	135.0	101.0	78.0	19.0	0.12ml	
20ml	150.0	113.0	90.0	20.0	0.12ml		



# 609D/G Perfume Atomizer

DISCHARGE RATE  
0.12 ± 0.02ML/T



GY-609D

GY-609G

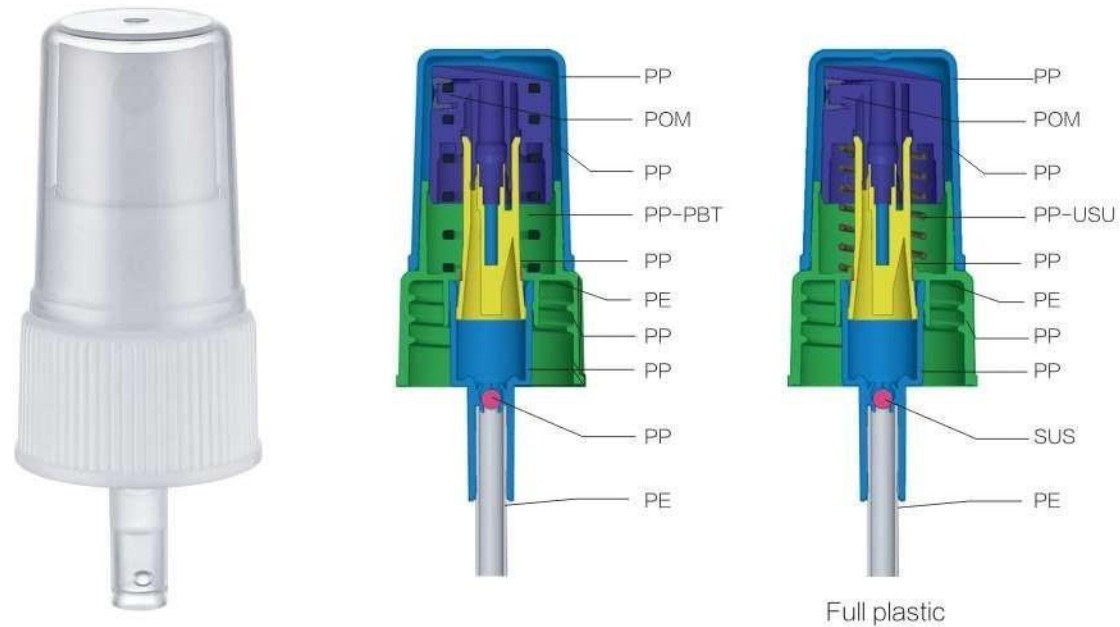
ITEM	SIZE	QTY/CNT	DIMENSION	N.W.G.W	MATERIAL
GY-609D	A	4000	57*33*35	12.5/13.5	PCR PP
	B	3000	57*33*35	12.5/13.5	
	C	3000	57*33*35	12.5/13.5	
	D	3000	57*33*35	12.5/13.5	
GY-609G	5ml	3200	57*33*35	10.5/11.5	
	7ml	2500	57*33*35	11/12	
	10ml	2000	57*33*35	13.5/14.5	
	12ml	1800	57*33*35	13/14	
	15ml	1500	57*33*35	11.5/12.5	





# 610A Fine Mist Sprayer

DISCHARGE RATE  
0.7 ± 0.14ML/T



GY-610A

## More combinations More options

Provide different parts of a variety of combination plan

### CLOSURE OPTIONS

### CAP OPTIONS



Ribbed



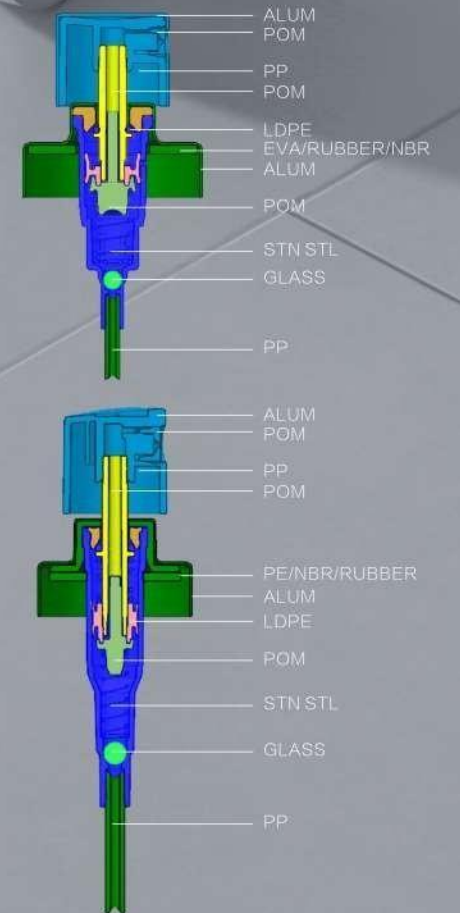
ARC

SIZE	QYT/CNT	DIMENSION	N. W/G. W	MATERIAL
24/410	1500	50 × 38 × 39	11.8/12.8	PCR/Full plastic

# 400 SERIES Crimp Pump

## FEATURES:

- Wide range of size options
- Variety of caps
- Different material options
- Variety of surface processings



# 401A Crimp Pump

DISCHARGE RATE  
0.06 ± 0.01ML/T

CAP OPTIONS



电化铝全罩  
Alu-FULL



GY-401A-1



GY-401A-2

SIZE	QYT/CNT	DIMENSION	N. W/G. W
15/400	2000	42 × 25 × 28	4.6/5.1
18/400	2000	40 × 34 × 28	5.4/6.4
20/400	2000	41 × 30 × 26	6/7

# 401B Crimp Pump

DISCHARGE RATE  
0.06 ± 0.01ML/T

CAP OPTIONS



Alu-FULL



GY-401B-1



GY-401B-2

SIZE	QYT/CNT	DIMENSION	N. W/G. W
15/400	2000	40 × 25 × 25	5.3/5.8
18/400	3000	40 × 34 × 28	7.2/7.6
20/400	2000	40 × 35 × 34	7.6/8.6

# 402A Crimp Pump

DISCHARGE RATE  
0.12 ± 0.02ML/T

CAP OPTIONS



Alu-FULL



GY-402A-1



GY-402A-2

SIZE	QYT/CNT	DIMENSION	N. W/G. W
15/400	2000	42 × 25 × 28	4.6/5.1
18/400	2000	40 × 34 × 28	5.4/6.4
20/400	2000	41 × 30 × 26	6/7

# 402B Crimp Pump

DISCHARGE RATE  
0.12 ± 0.02ML/T

CAP OPTIONS



Alu-FULL



GY-402B-1



GY-402B-2

SIZE	QYT/CNT	DIMENSION	N. W/G. W
15/400	2000	40 × 25 × 25	5.3/5.8
18/400	3000	40 × 34 × 28	7.2/7.6
20/400	2000	40 × 35 × 34	7.6/8.6



# 401C Crimp Pump

DISCHARGE RATE  
0.06 ± 0.01ML/T

CAP OPTIONS



FULL

SIZE	QYT/CNT	DIMENSION	N. W/G. W
18/410	2500	45 × 38 × 39	10.5/11
20/410	2500	45 × 38 × 39	10.5/11
24/410	2000	48 × 38 × 39	12/13



GY-401C

# 403A Crimp Pump

DISCHARGE RATE  
0.12 ± 0.02ML/T



GY-403A

SIZE	QYT/CNT	DIMENSION	N. W/G. W
15/400	2000	40 × 34 × 28	6/7
20/400	2000	40 × 34 × 28	6.5/7.5

# 402C Crimp Pump

DISCHARGE RATE  
0.12 ± 0.02ML/T

CAP OPTIONS



FULL

SIZE	QYT/CNT	DIMENSION	N. W/G. W
18/410	2500	54 × 34 × 37	10.5/11.5
20/410	2500	54 × 34 × 37	10.5/11.5
24/410	2000	60 × 48 × 30	12/13



GY-402C

# COLLAR



COL-13-01  
Φ 15.1mm  
H:12.6mm  
Fit for 13/400



COL-13-02  
Φ 15.7mm  
H:12.6mm  
Fit for 13/400



COL-15-01  
Φ 17.2mm  
H:14.0mm  
Fit for 15/400



COL-15-02  
Φ 17.8mm  
H:14.0mm  
Fit for 15/400



COL-15-03  
Φ 17.2mm  
H:14.0mm  
Fit for 15/400



COL-18-01  
Φ 20.4mm  
H:14.0mm  
Fit for 18/400



COL-18-02  
Φ 18.5mm  
H:14.0mm  
Fit for 18/400



COL-20-01  
Φ 22.0mm  
H:14.0mm  
Fit for 20/400

# 800 SERIES Treatment Pump

## FEATURES:

- Popular appearance available
- Widely range of cream use
- Different size available

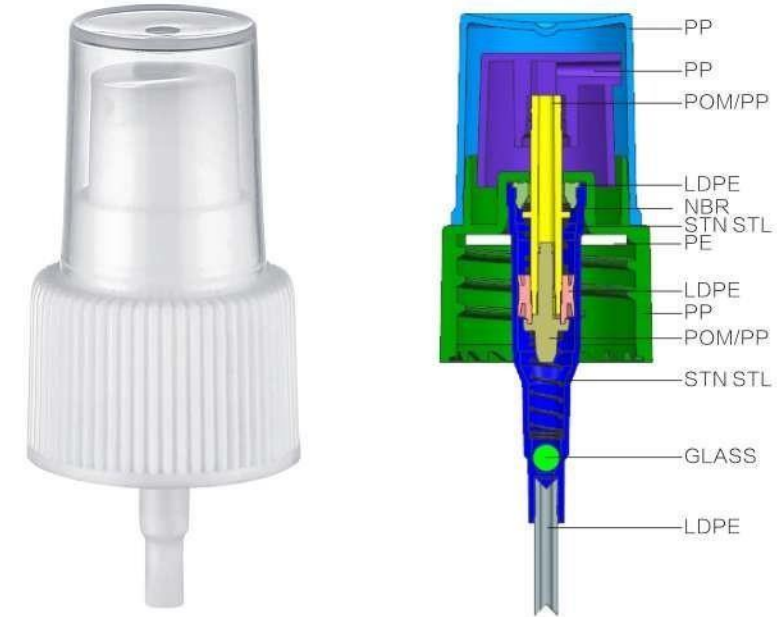
## APPLICATIONS:

- Skin care products
- Sun care products
- Cleansing water



# 801A Treatment Pump

DISCHARGE RATE  
0.12 ± 0.02ML/T



GY-801A

## More combinations More options

Provide different parts of a variety of combination plan

### CLOSURE OPTIONS



Smooth Ribbed Alu.

### CAP OPTIONS

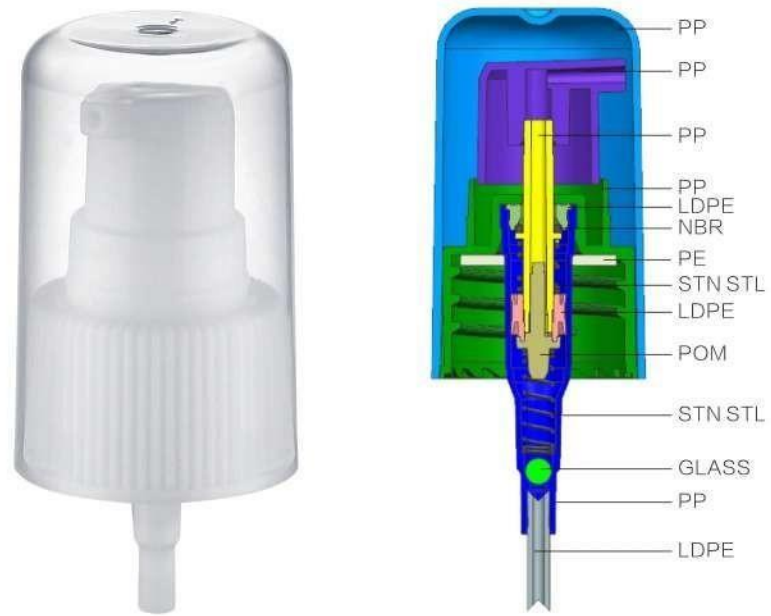


HALF ARC FULL

SIZE	QYT/CNT	DIMENSION	N. W/G. W	MATERIAL
18/410	2500	47 × 37.5 × 38.5	13/14	PCR PP
18/415	2500	50 × 37.5 × 38.5	13.5/14.5	
20/410	2500	55 × 40 × 40	14/15	
20/415	2000	48 × 37.5 × 38.5	12/13	
24/410	2000	54 × 37.5 × 42	13.5/14.5	
24/415	2000	53 × 37.5 × 38.5	11.5/12.5	

# 801B Treatment Pump

DISCHARGE RATE  
0.12 ± 0.02ML/T



GY-801B

## More combinations More options

Provide different parts of a variety of combination plan

### CLOSURE OPTIONS



Smooth Ribbed Alu-1 FULL

### CAP OPTIONS



FULL

SIZE	QYT/CNT	DIMENSION	N. W/ G. W	MATERIAL
18/410	2500	47 × 37.5 × 38.5	13/14	PCR PP
18/415	2500	50 × 37.5 × 38.5	13.5/14.5	
20/410	2500	55 × 40 × 40	14/15	
20/415	2000	48 × 37.5 × 38.5	12/13	
24/410	2000	54 × 37.5 × 42	13.5/14.5	
24/415	2000	53 × 37.5 × 38.5	11.5/12.5	

# 801F Treatment Pump

DISCHARGE RATE  
0.12 ± 0.02ML/T



GY-801F

## More combinations More options

Provide different parts of a variety of combination plan

### CAP OPTIONS



Alu-FULL

SIZE	QYT/CNT	DIMENSION	N. W/ G. W
18/410	1430	54 × 34 × 37	12/13
18/415	1430	54 × 34 × 37	12/13
20/410	1430	54 × 34 × 37	12/13
FULLCAP	1700	48 × 34 × 40	12/13

# 801A2 Treatment Pump

DISCHARGE RATE  
0.12 ± 0.02ML/T

More combinations More options

Provide different parts of a variety of combination plan

ACTUATOR OPTIONS



A2 B2 F2 K2

SIZE	QYT/CNT	DIMENSION	N. W/G. W
15/400	2000	42 × 25 × 28	4.6/5.1
18/400	2000	40 × 34 × 28	5.4/6.4
20/400	2000	41 × 30 × 26	6/7



GY-801A2

# 801A3 Treatment Pump

DISCHARGE RATE  
0.12 ± 0.02ML/T

More combinations More options

Provide different parts of a variety of combination plan

ACTUATOR OPTIONS



A2 B2 F2 K2

SIZE	QYT/CNT	DIMENSION	N. W/G. W
18/410	2500	54 × 34 × 37	10.5/11.5
20/410	2500	54 × 34 × 37	10.5/11.5
24/410	2000	60 × 48 × 30	12/13



GY-801A3

# 802A Treatment Pump

DISCHARGE RATE  
0.2 ± 0.02ML/T

More combinations More options

Provide different parts of a variety of combination plan

CLOSURE OPTIONS

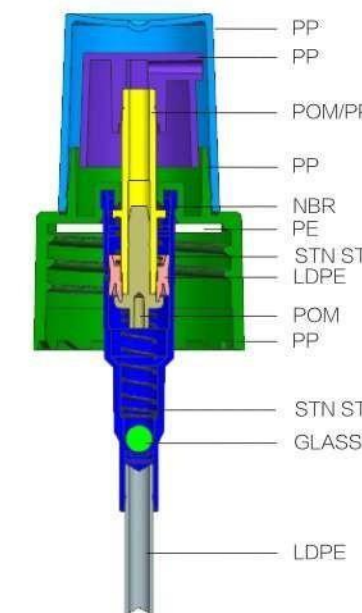


光面 Smooth 莱丝 Ribbed 氧化铝 Alu.

CAP OPTIONS



半罩 HALF 圆罩 ARC 全罩 FULL

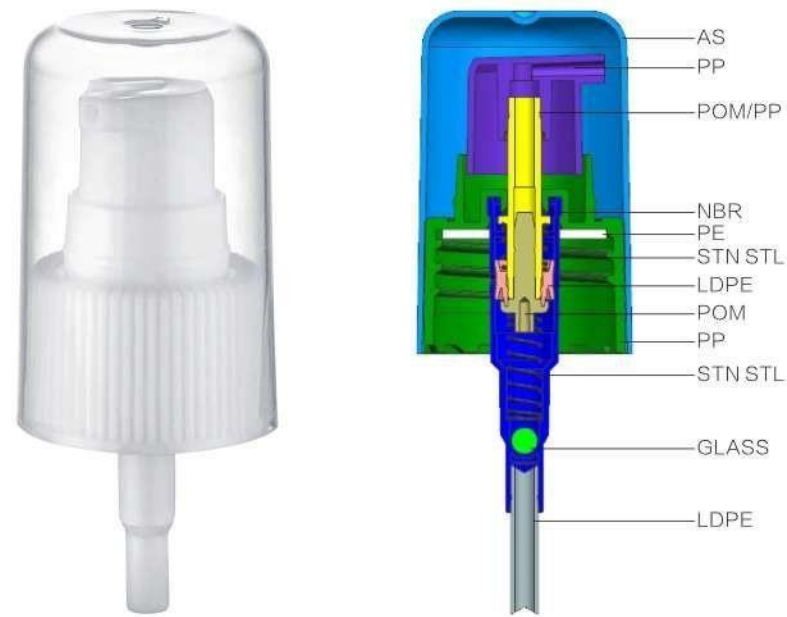


GY-802A

SIZE	QYT/CNT	DIMENSION	N. W/G. W	MATERIAL
18/410	2000	48 × 38 × 39	13/14	PCR PP
18/415	1500	50 × 35 × 26	12.5/13.5	
20/410	1500	47 × 38 × 32	8.5/15	
20/415	2000	48 × 37.5 × 38.5	12/13	
24/410	1500	45 × 38 × 39	11/12	
24/415	2000	53 × 37.5 × 38.5	11.5/12.5	

# 802B Treatment Pump

DISCHARGE RATE  
0.2 ± 0.02ML/T



GY-802B

## More combinations More options

Provide different parts of a variety of combination plan

### CLOSURE OPTIONS



Smooth Ribbed Alu.

### CAP OPTIONS

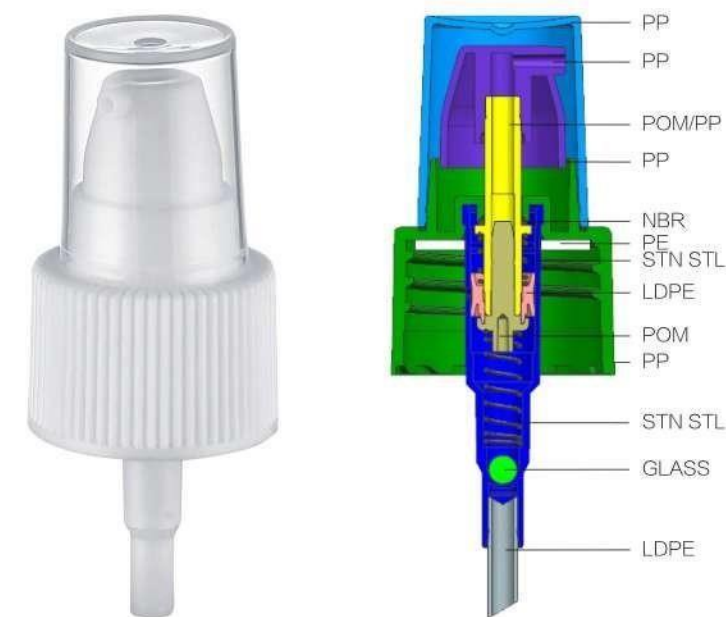


FULL

SIZE	QYT/CNT	DIMENSION	N. W/G. W	MATERIAL
18/410	2000	48×38×39	13/14	PCR PP
18/415	1500	50×35×26	12.5/13.5	
20/410	1500	47×38×32	8.5/15	
20/415	2000	48×37.5×38.5	12/13	
24/410	1500	45×38×39	11/12	
24/415	2000	53×37.5×38.5	11.5/12.5	

# 802C Treatment Pump

DISCHARGE RATE  
0.2 ± 0.02ML/T



GY-802C

## More combinations More options

Provide different parts of a variety of combination plan

### CLOSURE OPTIONS



Smooth Ribbed Alu.

### CAP OPTIONS

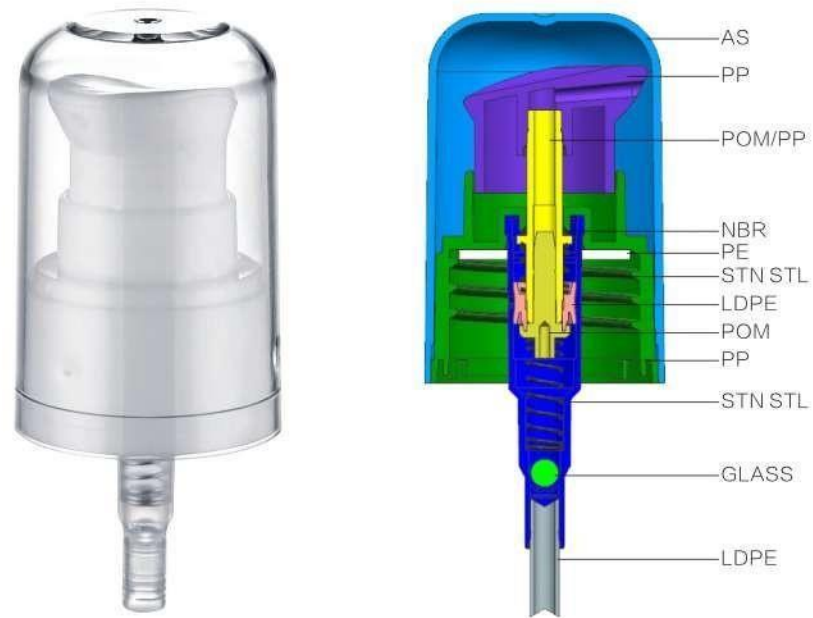


HALF ARC FULL

SIZE	QYT/CNT	DIMENSION	N. W/G. W	MATERIAL
18/410	2000	48×38×39	13/14	PCR PP
18/415	1500	50×35×26	12.5/13.5	
20/410	1500	47×38×32	8.5/9.5	
20/415	2000	48×37.5×38.5	12/13	
24/410	1500	45×38×39	11/12	
24/415	2000	53×37.5×38.5	11.5/12.5	

# 802D Treatment Pump

DISCHARGE RATE  
0.2 ± 0.02ML/T



GY-802D

## More combinations More options

Provide different parts of a variety of combination plan

### CAP OPTIONS



FULL

SIZE	QYT/CNT	DIMENSION	N. W/G. W	MATERIAL
20/410	1500	48 × 37.5 × 38.5	11/12	PCR PP
24/410	1500	50 × 38 × 39	12/13	
AS FULL CAP	1170	54 × 34 × 37	6.5/7.5	

# 802F Treatment Pump

DISCHARGE RATE  
0.2 ± 0.02ML/T



GY-802F

## More combinations More options

Provide different parts of a variety of combination plan

### CAP OPTIONS



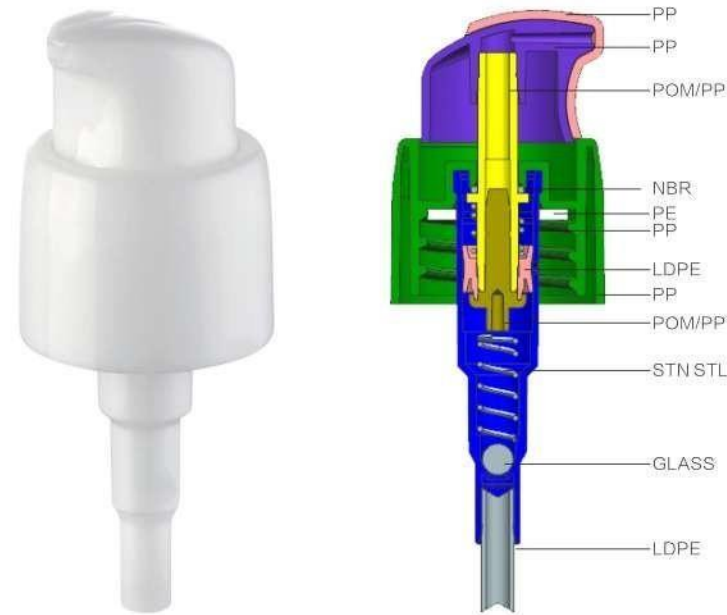
Alu-FULL

SIZE	QYT/CNT	DIMENSION	N. W/G. W
18/410	1430	54 × 34 × 37	12/13
18/415	1430	54 × 34 × 37	12/13
20/410	1430	54 × 34 × 37	12/13
FULL CAP	1700	48 × 34 × 40	12/13



# 802G Treatment Pump

DISCHARGE RATE  
0.2 ± 0.02ML/T



GY-802G

## More combinations More options

Provide different parts of a variety of combination plan

### CAP OPTIONS

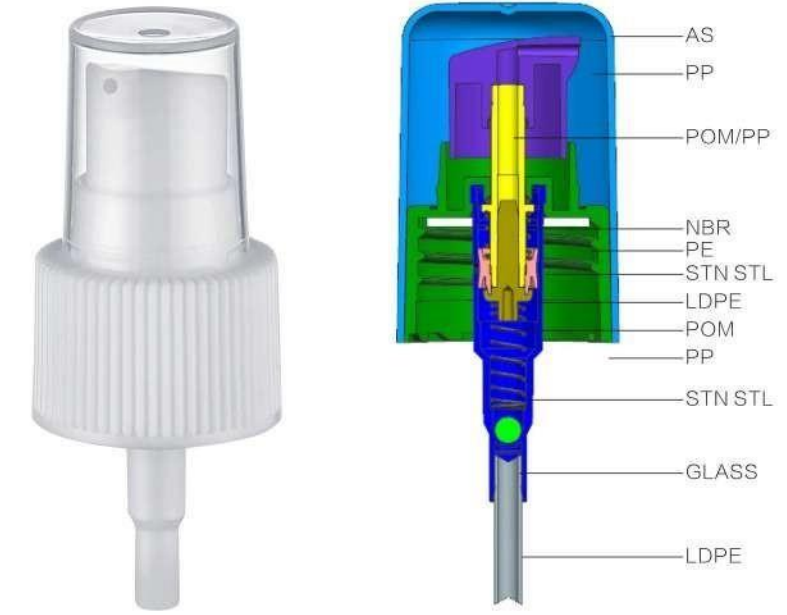


PLASYIC

SIZE	QYT/CNT	DIMENSION	N. W/G. W	MATERIAL
18/410	1800	48×37.5×38.5	11/12	PCR PP
20/410	1500	48×37.5×38.5	11/12	

# 802H Treatment Pump

DISCHARGE RATE  
0.2 ± 0.02ML/T



GY-802H

## More combinations More options

Provide different parts of a variety of combination plan

### CLOSURE OPTIONS



Smooth

Ribbed

Alu.

### CAP OPTIONS



HALF

ARC

FULL

SIZE	QYT/CNT	DIMENSION	N. W/G. W	MATERIAL
20/410	2000	45×38×39	12.8/13.8	PCR PP
20/415	2000	48×37.5×38.5	12/13	
24/410	1500	50×38×39	12/13	
24/415	2000	53×37.5×38.5	11.5/12.5	

# 802J Treatment Pump

DISCHARGE RATE  
0.2 ± 0.02ML/T



GY-802J

## More combinations More options

Provide different parts of a variety of combination plan

### CAP OPTIONS

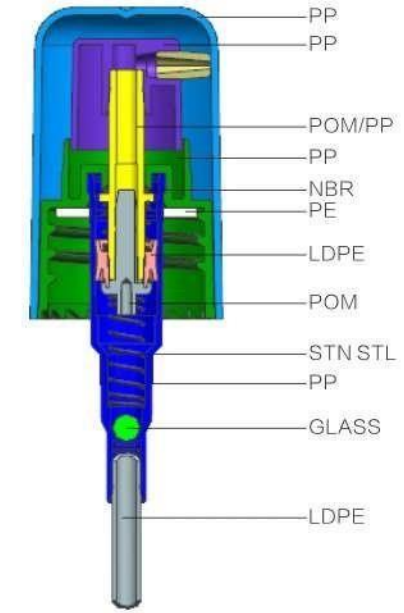


FULL

SIZE	QYT/CNT	DIMENSION	N. W/G. W
18/410	1430	54 × 34 × 37	12/13
20/410	1430	54 × 34 × 37	12.5/13.5

# 802K Treatment Pump

DISCHARGE RATE  
0.2 ± 0.02ML/T



GY-802K

## More combinations More options

Provide different parts of a variety of combination plan

### CLOSURE OPTIONS



Smooth

Ribbed

Alu.

### CAP OPTIONS

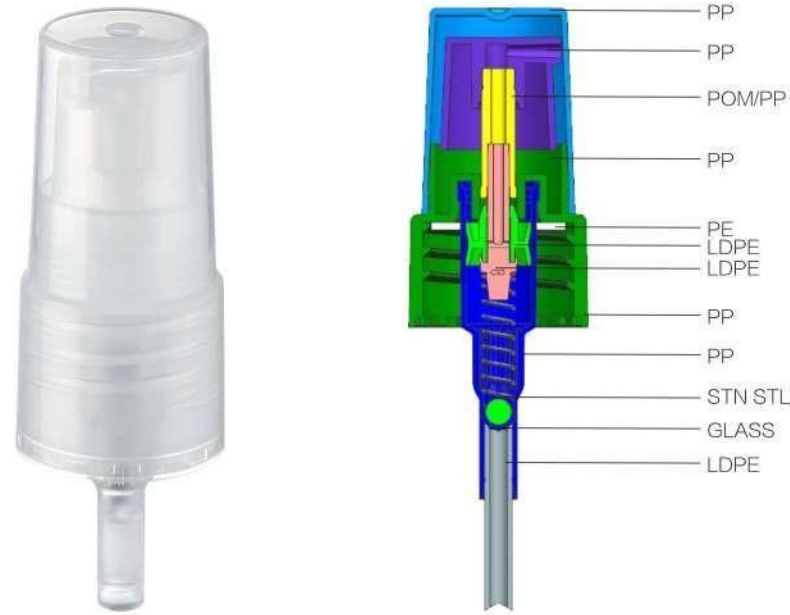


FULL

SIZE	QYT/CNT	DIMENSION	N. W/G. W	MATERIAL
18/410	2000	45 × 38 × 39	13/14	PCR
20/410	1500	47 × 38 × 32	8.5/9.5	PP

# 803A Treatment Pump

DISCHARGE RATE  
0.4 ± 0.02ML/T



GY-803A

## More combinations More options

Provide different parts of a variety of combination plan

### CAP OPTIONS



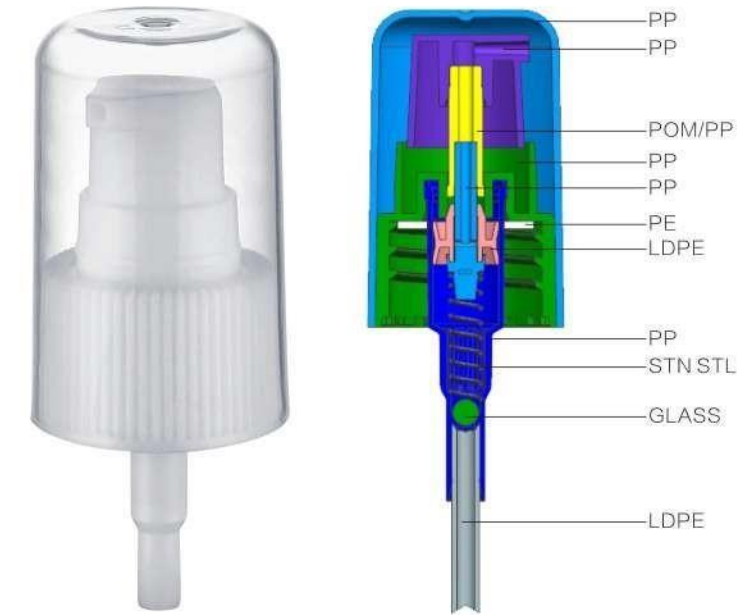
HALF

FULL

SIZE	QYT/CNT	DIMENSION	N. W/G. W	MATERIAL
20/410	2000	45 × 38 × 39	10/11	PCR
20/415	1000	48 × 38 × 26	6/7	PP

# 803B Treatment Pump

DISCHARGE RATE  
0.4 ± 0.02ML/T



GY-803B

## More combinations More options

Provide different parts of a variety of combination plan

### CAP OPTIONS



FULL

SIZE	QYT/CNT	DIMENSION	N. W/G. W	MATERIAL
20/410	2000	45 × 38 × 39	10/11	PCR
20/415	1000	48 × 38 × 26	6/7	PP

# 804A Treatment Pump

DISCHARGE RATE  
0.25 ± 0.02ML/T



Spring External  
**GY-804A**

### More combinations More options

Provide different parts of a variety of combination plan

#### CLOSURE OPTIONS



Ribbed

Alu.

#### ACTUATOR OPTIONS

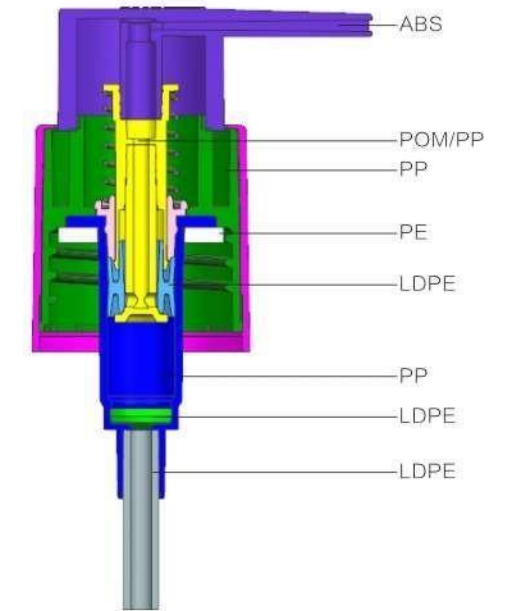


A1

SIZE	QYT/CNT	DIMENSION	N. W / G. W	MATERIAL
18/410	1500	48×37.5×38.5	10.5/11.5	PCR PP
20/410	1500	48×37.5×38.5	11/12	PCR PP

# 805A1 Treatment Pump

DISCHARGE RATE  
0.5 ± 0.05ML/T



**GY-805A1**

### More combinations More options

Provide different parts of a variety of combination plan

#### CLOSURE OPTIONS



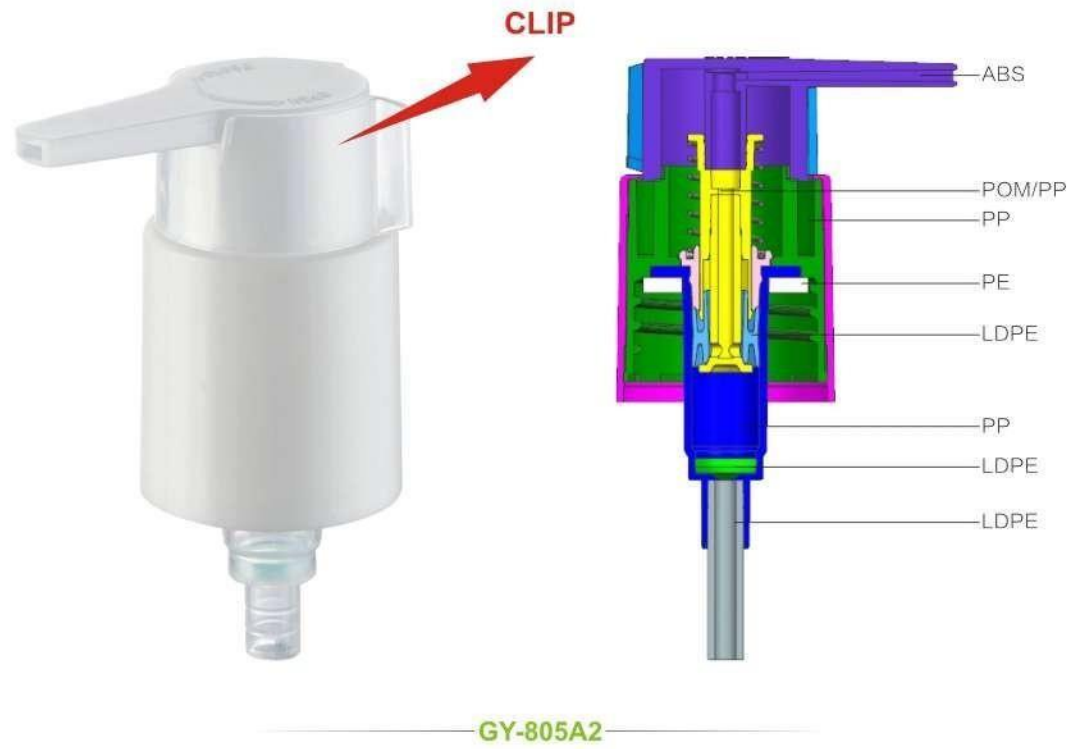
ABS

Alu.

SIZE	QYT/CNT	DIMENSION	N. W / G. W	MATERIAL
22/410	1000	54×38×39	13/14	PCR / PP / AL / UV
24/410	1000	54×38×39	14/15	PCR / PP / AL / UV

# 805A2 Treatment Pump

DISCHARGE RATE  
0.5 ± 0.05ML/T



GY-805A2

### More combinations More options

Provide different parts of a variety of combination plan

#### CLOSURE OPTIONS



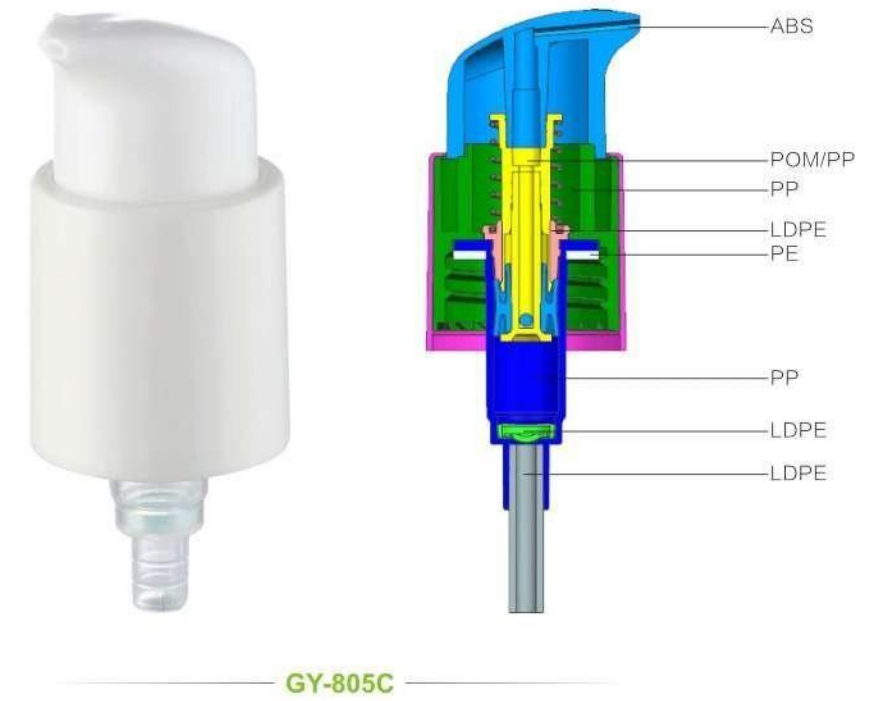
ABS

Alu.

SIZE	QYT/CNT	DIMENSION	N. W / G. W	MATERIAL
22/410	1000	54 × 38 × 39	13/14	PCR
24/410	1000	54 × 38 × 39	14/15	PP

# 805C Treatment Pump

DISCHARGE RATE  
0.5 ± 0.05ML/T



GY-805C

### More combinations More options

Provide different parts of a variety of combination plan

#### CLOSURE OPTIONS



ABS

Alu.

SIZE	QYT/CNT	DIMENSION	N. W / G. W	MATERIAL OPTION
22/410	1000	54 × 38 × 39	13/14	PCR
24/410	1000	54 × 38 × 39	14/15	PP

# 300 SERIES Lotion Pump

## FEATURES:

- Different dosage from 1.2ml to 5ml
- Ergonomic design in actuator and shape provides comfortable use feeling
- Popular inside&outside spring structure meets customer's different requirements in different fields
- Left-Right and Screw down lock system
- Different closure options and shape processing procedure
- Special structure design principle makes pump more safe and wide using
- Head Clockwise and Anti-clockwise for choose

## APPLICATIONS:

- Body lotion
- Cleansing Water
- Liquid soap
- Sun oil
- Hair care products
- Washing liquid
- Facial cream



# 302 Screw pump

DISCHARGE RATE  
1.8 ± 0.20ML/T



GY-302

## More combinations More options

Provide different parts of a variety of combination plan

### CLOSURE OPTIONS



### ACTUATOR OPTIONS



SIZE	QYT/CNT	DIMENSION	N. W / G. W	MATERIAL OPTION
24/410	1200	54 × 38 × 39	14/15	PCR PLA(Biodegradable)
24/415	1000	54 × 38 × 39	13/14	
28/400	1000	54 × 38 × 39	13/14	
28/410	1000	54 × 38 × 39	13.5/14.5	
28/415	800	54 × 38 × 44	12.5/13.5	

# 302L Screw pump

DISCHARGE RATE  
1.8 ± 0.20ML/T



GY-302L

### More combinations More options

Provide different parts of a variety of combination plan

#### CLOSURE OPTIONS



Smooth Ribbed Alu.

#### ACTUATOR OPTIONS

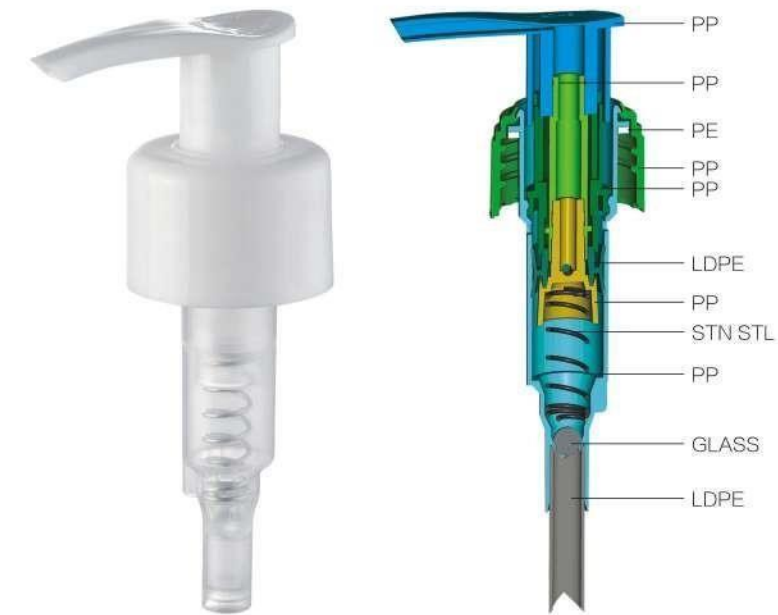


P1(spray) R1(lotion)

SIZE	QYT/CNT	DIMENSION	N. W/G. W	MATERIAL OPTION
24/410	1000	60 × 38 × 42	13/14	PCR
28/410	800	60 × 38 × 42	13/14	

# 303 Left-right LOCK

DISCHARGE RATE  
1.20 ± 0.20ML/T



GY-303

### More combinations More options

Provide different parts of a variety of combination plan

#### CLOSURE OPTIONS



Smooth Ribbed-1 Ribbed-2 Alu

#### ACTUATOR OPTIONS



A1 B1 C1 D1



E1 F1 H1 L1

SIZE	QYT/CNT	DIMENSION	N. W/G. W	MATERIAL OPTION
24/410	1200	54 × 38 × 39	14/15	PLA PCR PP
24/415	1000	54 × 38 × 39	13/14	
28/400	1000	54 × 38 × 39	13/14	
28/410	1000	54 × 38 × 39	13.5/14.5	
28/415	800	54 × 38 × 44	12.5/13.5	

# 304 Left-right LOCK

DISCHARGE RATE  
2.00 ± 0.20ML/T

FEATURES  
-Inner Spring

More combinations More options

Provide different parts of a variety of combination plan

ACTUATOR OPTIONS



A2 B2

SIZE	QYT/CNT	DIMENSION	N. W/G. W
24/410	1000	60 × 38 × 39	11/12
28/410	800	60 × 38 × 39	11.5/12.5



GY-304

# 306 Screw pump

DISCHARGE RATE  
3.50 ± 0.50ML/T

More combinations More options

Provide different parts of a variety of combination plan

ACTUATOR OPTIONS



A1 B1 C1 D1 E1 F1 G2 H1

SIZE	QYT/CNT	DIMENSION	N. W/G. W
33/410	500	50 × 38 × 39	11.5/12.5
38/410	500	50 × 38 × 39	12/13



GY-306

# 307 CLIP LOCK SUCH-BACK PUMP

DISCHARGE RATE  
1.00 ± 0.10ML/T

More combinations More options

Provide different parts of a variety of combination plan

CLOSURE OPTIONS



Smooth Ribbed-1 Ribbed-2 Alu

CLIP LOCK



A1 B1

SIZE	QYT/CNT	DIMENSION	N. W/G. W
24/410	1000	54 × 38 × 39	12/13
28/410	800	54 × 38 × 39	11/12

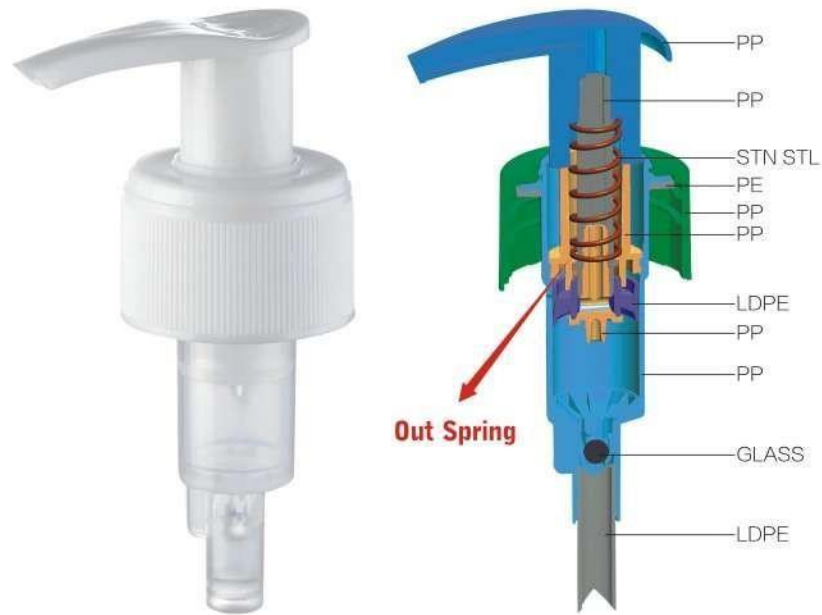


GY-307



# 310 Left-right LOCK

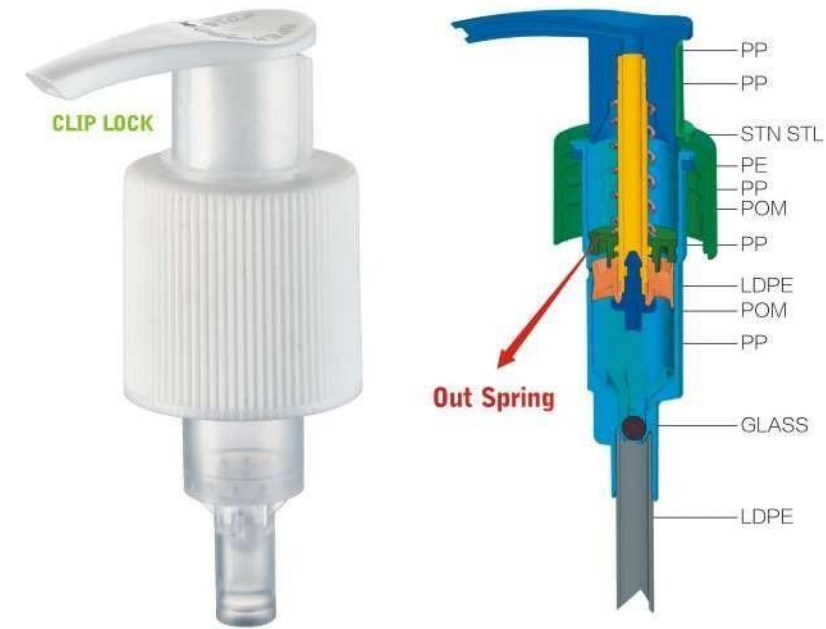
DISCHARGE RATE  
2.00 ± 0.20ML/T



GY-310

# 311 CLIP LOCK

DISCHARGE RATE  
1.80 ± 0.20ML/T



GY-311

## More combinations More options

Provide different parts of a variety of combination plan

### CLOSURE OPTIONS



Smooth Ribbed-1 Ribbed-2 Alu

### ACTUATOR OPTIONS



A1 B1 C1 D1



E1 F1 H1

SIZE	QYT/CNT	DIMENSION	N. W/G. W
24/410	1200	54 × 38 × 39	14/15
24/415	1000	54 × 38 × 39	13/14
28/400	1000	54 × 38 × 39	13/14
28/410	1000	54 × 38 × 39	13.5/14.5
28/415	800	54 × 38 × 44	12.5/13.5

## More combinations More options

Provide different parts of a variety of combination plan

### CLOSURE OPTIONS



Smooth Ribbed-1 Ribbed-2 Alu

### CLIP OPTIONS



A1 B1

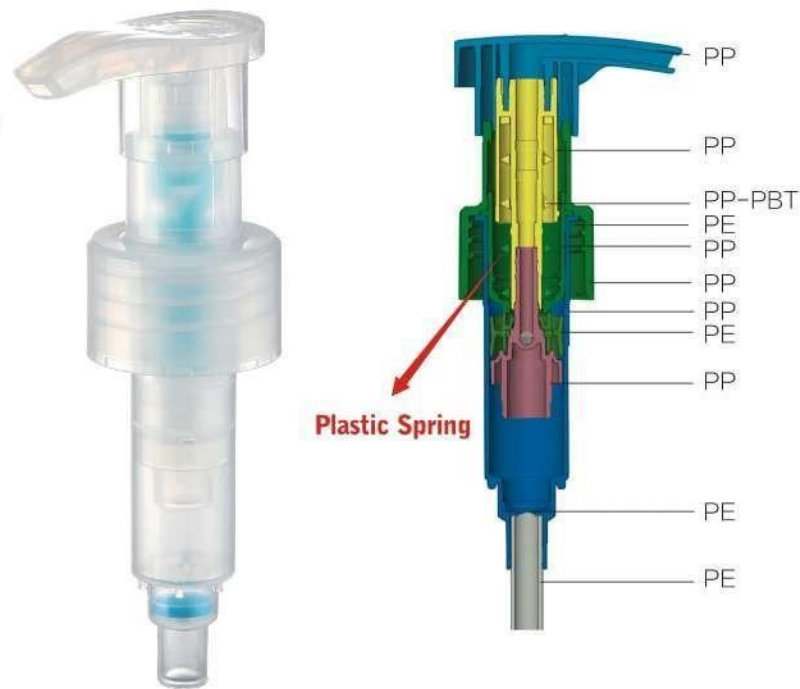
SIZE	QYT/CNT	DIMENSION	N. W/G. W
24/410	1000	54 × 38 × 39	13/14
24/415	1000	54 × 38 × 39	13/14
28/400	1000	54 × 38 × 39	13/14
28/410	1000	54 × 38 × 39	13.5/14.5

# 320 Full Plastic Lotion Pump

DISCHARGE RATE  
2.00 ± 0.40ML/T

## FEATURES:

Full Plastic design,  
no metal spring or glass  
ball makes it very easy  
to be fully recycled.



GY-320

**NEW HOT!**

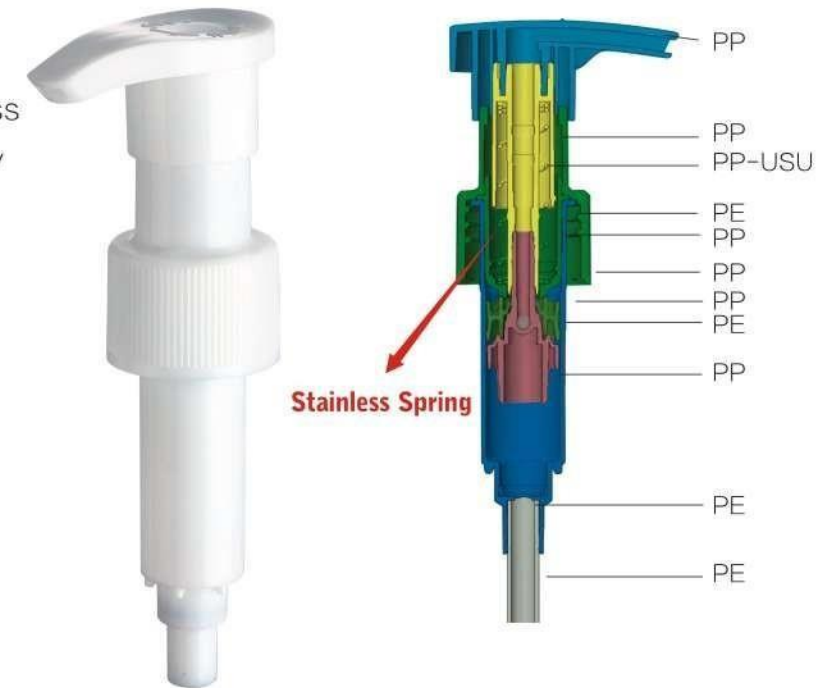


# 320 Full Plastic Lotion Pump

DISCHARGE RATE  
2.00 ± 0.40ML/T

## FEATURES:

Full Plastic design,  
no metal spring or glass  
ball makes it very easy  
to be fully recycled.



GY-320

## More combinations More options

Provide different parts of a variety of combination plan

### CLOSURE OPTIONS

### ACTUATOR OPTIONS



光面 Smooth  
莱丝 Ribbed-1

A1 B1 C1

SIZE	QYT/CNT	DIMENSION	N. W/G. W	MATERIAL
24/410	1200	54 × 38 × 39	14/15	PCR PP
28/410	600	54 × 38 × 39	11/12	PCR PP

## More combinations More options

Provide different parts of a variety of combination plan

### CLOSURE OPTIONS

### ACTUATOR OPTIONS



光面 Smooth  
莱丝 Ribbed-1

A1 B1 C1

SIZE	QYT/CNT	DIMENSION	N. W/G. W	MATERIAL
24/410	1200	54 × 38 × 39	14/15	PCR PP
28/410	600	54 × 38 × 39	11/12	PCR PP

# 100 SERIES Trigger Sprayer

## FEATURES:

- Different popular trigger sprayers available
- Dosage from 0.75CC to 1.5CC
- Made by auto-assembly and inspection guarantees quality and efficiency
- five nozzles including spray/stream, spray/spray, foam etc
- Three triggers including normal trigger, two fingers trigger and round trigger
- Various kinds of closures include 28/400, 28/410, 28/415 and ratchet closure
- Both soft tube and rigid tube for choice
- Quick priming

## APPLICATIONS:

- Household chemicals
- Automotive care products
- Gardening



# 101 Trigger Sprayer



DISCHARGE RATE  
0.75 ± 0.10ML/T



GY-101B1



GY-101C1



GY-101D1



GY-101E1



GY-101G1



GY-101H1



GY-101J1

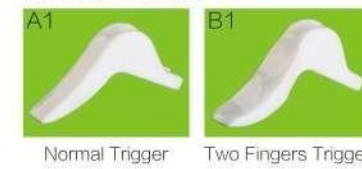


GY-101K1

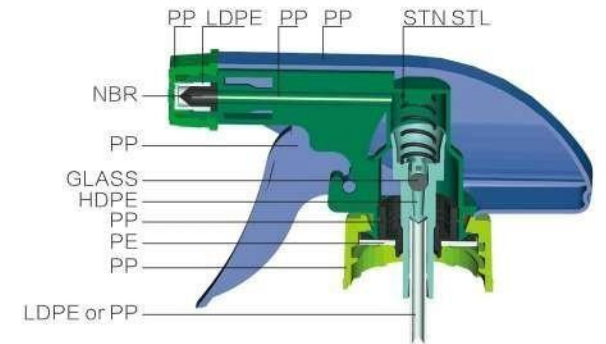
## More combinations More options

Provide different parts of a variety of combination plan

### TRIGGER OPTIONS



### NOZZLE OPTIONS



SIZE	QYT/CNT	DIMENSION	N. W / G. W
28/400	500	50 × 38 × 39	12/13
28/410	500	50 × 38 × 39	12.5/13.5
28/415	500	50 × 38 × 39	13/14

# 102 Trigger Sprayer

DISCHARGE RATE  
0.90 ± 0.10ML/T

Horizontal Engine



GY-102

SIZE	QYT/CNT	DIMENSION	N. W/G. W
28/410	500	50 × 38 × 39	13/14

# 103 Trigger Sprayer

DISCHARGE RATE  
0.90 ± 0.10ML/T



GY-103

SIZE	QYT/CNT	DIMENSION	N. W/G. W
28/400	500	50 × 38 × 39	11/12
28/410	500	50 × 38 × 39	11.5/12.5

# 104 Trigger Sprayer

DISCHARGE RATE  
1.30 ± 0.20ML/T

Inclined Engine



GY-104

SIZE	QYT/CNT	DIMENSION	N. W/G. W
28/410	400	55 × 38 × 39	12.5/13.5

# 110 Trigger Sprayer

DISCHARGE RATE  
0.60 ± 0.05ML/T



GY-110

SIZE	QYT/CNT	DIMENSION	N. W/G. W
24/410	500	56 × 38 × 39	9.5/10.5
28/410	500	56 × 38 × 39	10/11

# 109 Trigger Sprayer

DISCHARGE RATE  
0.25 ± 0.05ML/T



GY-109A1



GY-109A2



GY-109A3



GY-109B1



GY-109B2



GY-109C2

SIZE	QYT/CNT	DIMENSION	N. W / G. W
20/410	500	45×32×39	7/8
24/410	500	45×32×39	7.5/8.5
28/410	500	45×32×39	8/9

# 900 SERIES Dropper

*Hvelis*



# 901 Dropper

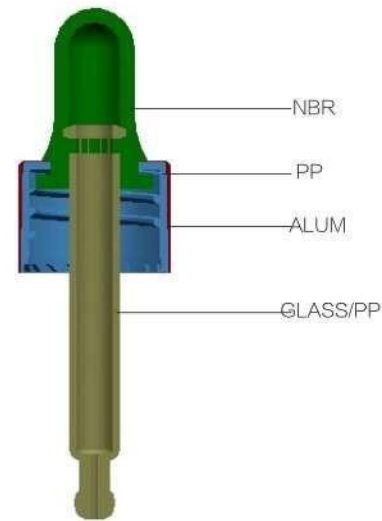
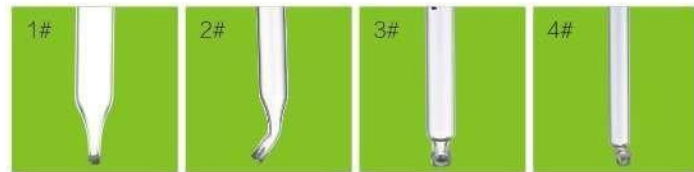


GY-901

### More combinations More options

Provide different parts of a variety of combination plan

#### CLOSURE OPTIONS



SIZE	QYT/CNT	DIMENSION	N. W / G. W	MATERIAL
18/410	1496	50×40×36	11/12	ABS PP AL
18/415	1496	50×40×36	12/13	
20/400	1496	50×40×36	12/13	
20/410	1496	50×40×36	12.5/13.5	
24/410	1496	50×40×44	14/15	

# 902 Dropper

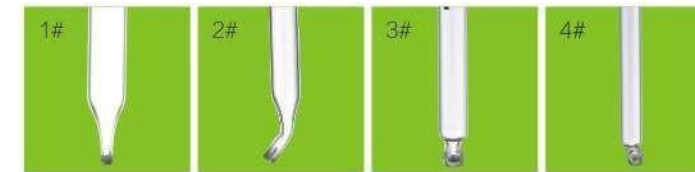


GY-902

### More combinations More options

Provide different parts of a variety of combination plan

#### CLOSURE OPTIONS



SIZE	QYT/CNT	DIMENSION	N. W / G. W
18/410	1496	50×40×36	11/12
18/410	1496	50×40×36	11/12
18/415	1496	50×40×36	12/13
20/400	1496	50×40×36	12/13
20/410	1496	50×40×36	12.5/13.5
24/410	1496	50×40×44	14/15

# 700 SERIES Nail Pump

## FEATURES:

- Ergonomics shape design
- Smooth easy use by cotton pad
- Many bottle options
- Seperate flip top cap
- Hygiene

## APPLICATIONS:

- Nailpolish Remover
- Cleansing Water



701 SERIES  
0.75±0.10ML/T

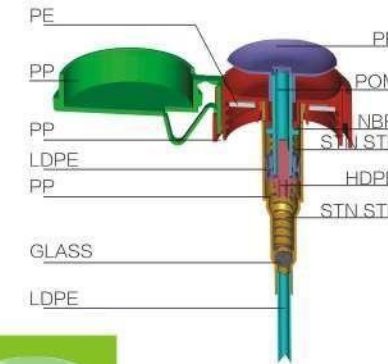


702 SERIES  
0.90±0.10ML/T

*Hvelis*

## 701 Nail Pump-Single Spring

DISCHARGE RATE  
0.55 ± 0.05ML/T



### NAIL PUMP OPTIONS



#1 #2 silicone stopper

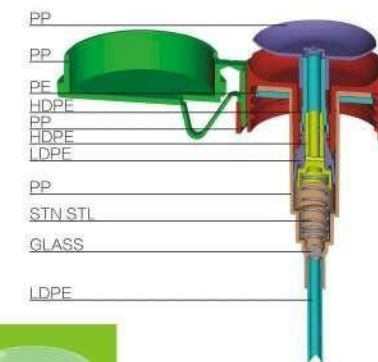
SIZE	QYT/CNT	DIMENSION	N. W / G. W
24/410	500	42 × 32 × 38.5	7/8
28/410	500	42 × 32 × 38.5	8/9
33/410	500	42 × 32 × 38.5	10/11



GY-701

## 702 Nail Pump-Double Spring

DISCHARGE RATE  
0.50 ± 0.05ML/T



### NAIL PUMP OPTIONS



#1 #2 silicone stopper

SIZE	QYT/CNT	DIMENSION	N. W / G. W
24/410	500	42 × 32 × 38.5	7/8
28/410	500	42 × 32 × 38.5	8/9
33/410	500	42 × 32 × 38.5	10/11



GY-702

# 200 SERIES Plastic Cap

## FEATURES:

- Different open type caps available
- Plastic and Metal or UV or Artistic design shape offer
- Customer OEM design

## APPLICATIONS:

- Body lotion
- liquid soap
- hair care products
- Kitchen use



# 202 Plastic Cap

*Hvelis*



**GY-202A**

18/410、18/415、20/410、  
20/415、24/410、24/415、28/415



**GY-202A-AL**

20/410、20/415、24/410、24/415



**GY-201A**

24/410、24/415、28/410、28/415



**GY-201C**

24/410、28/415



**GY-201D**

24/410、28/410



**GY-201F**

20/410、20/415、28/400、28/410



# 204 Plastic Cap



**GY-203A**

18/410, 18/415, 20/410,  
20/415, 24/410, 24/415, 28/415



**GY-203B**

20/410, 20/415, 24/410, 24/415



**GY-204A**

24/410, 24/415, 28/410, 28/415



**GY-204B**

24/410, 28/415



**GY-204C**

24/410, 28/410

# 207 Plastic Cap



**GY-202A-AL**

20/410, 20/415, 24/410, 24/415



**GY-207A**

24/410, 28/400, 28/410



**GY-207C**

20/410, 24/410, 28/410



**GY-209A**

18/410, 20/410, 24/410, 28/410



**GY-209B**

18/410, 20/410, 24/410, 28/410